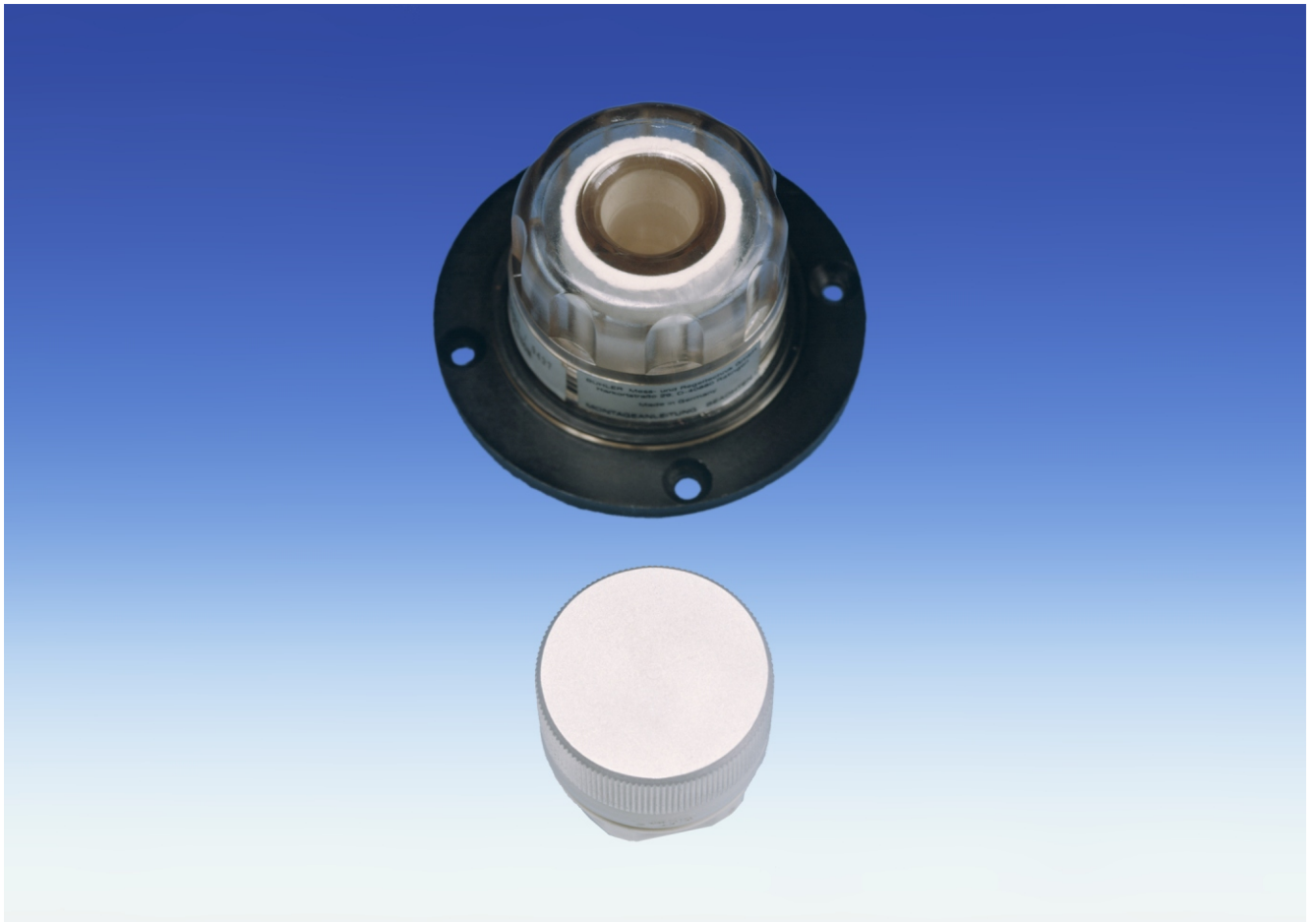


Panel - Filter AGF-FE



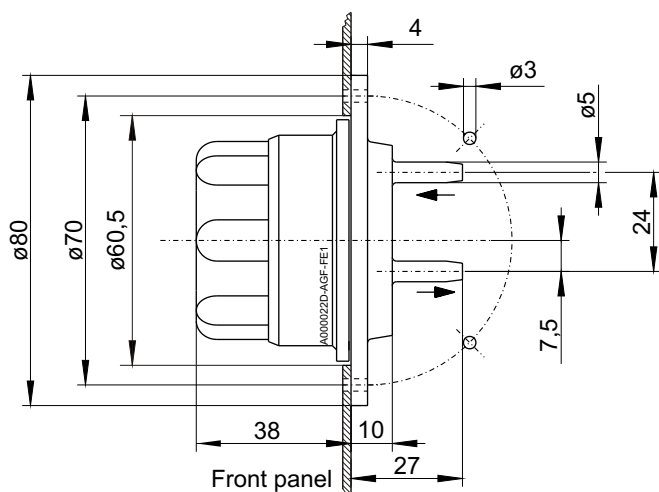
Bühler's AGF-FE filters are designed for panel mounting. The main body is attached to the front panel. The filter bowl threads onto the main body and seals with an O-Ring.

Changing filter media is done by simply removing the bowl. The dust loading on the filter is visible through the transparent bowl. The sample gas inlet and outlet are at the back side of the unit.

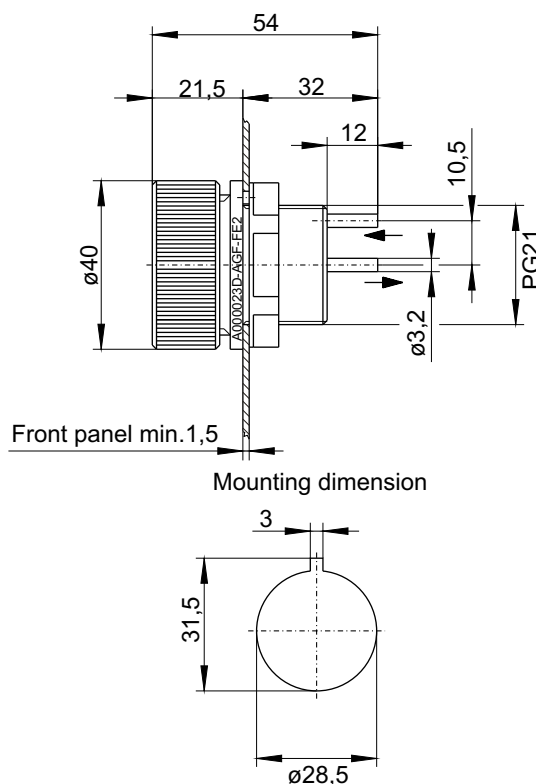
- **Simple panel-mount installation**
- **Easy to install**
- **Large filter area**
- **Easy filter replacement**
- **Visual indication of filter condition**

Dimensions (mm)

AGF-FE-1 / AGF-FE-1-T



AGF-FE-2



Technical Data

| Panel-filter | AGF-FE-1 | AGF-FE-1-T | AGF-FE-2 |
|---------------------------|---------------------------|--------------------|---------------------------|
| Filter surface | 40 cm ² | 40 cm ² | 13 cm ² |
| Pore size | 2 µm | 2 µm | 8 µm |
| Dead volume | 25 ml | 25 ml | 6 ml |
| Material - filter housing | PC | PC | PVDF / 1.4571 |
| Material - seal | Viton | Viton | Viton |
| Material - filter element | glass fibre / epoxy resin | PTFE | glass fibre / epoxy resin |
| Hose connection | DN 4/6 | DN 4/6 | DN 2/4 |
| Pressure max. | 2 bar | 2 bar | 2 bar |
| Media temperature | max. +80 °C | max. +80 °C | max. +80 °C |

Please indicate with order

Filter *

| Part no. | Type |
|------------|------------|
| 41 15 9991 | AGF-FE-1 |
| 41 15 8991 | AGF-FE-1-T |
| 41 15 099 | AGF-FE-2 |

*Delivery includes one filterelement

Spare filter elements

| Part no. | Type | for | Package |
|--------------|---------|------------|---------|
| 41 15 00 10 | FE-E1 | AGF-FE-1 | 5 pcs. |
| 41 15 00 90 | FE-E1-T | AGF-FE-1-T | 5 pcs. |
| 41 15 09 910 | FE-E2 | AGF-FE-2 | 5 pcs. |