

Sample Gas Coalescing Filter K - AGF - PV - 30 -A

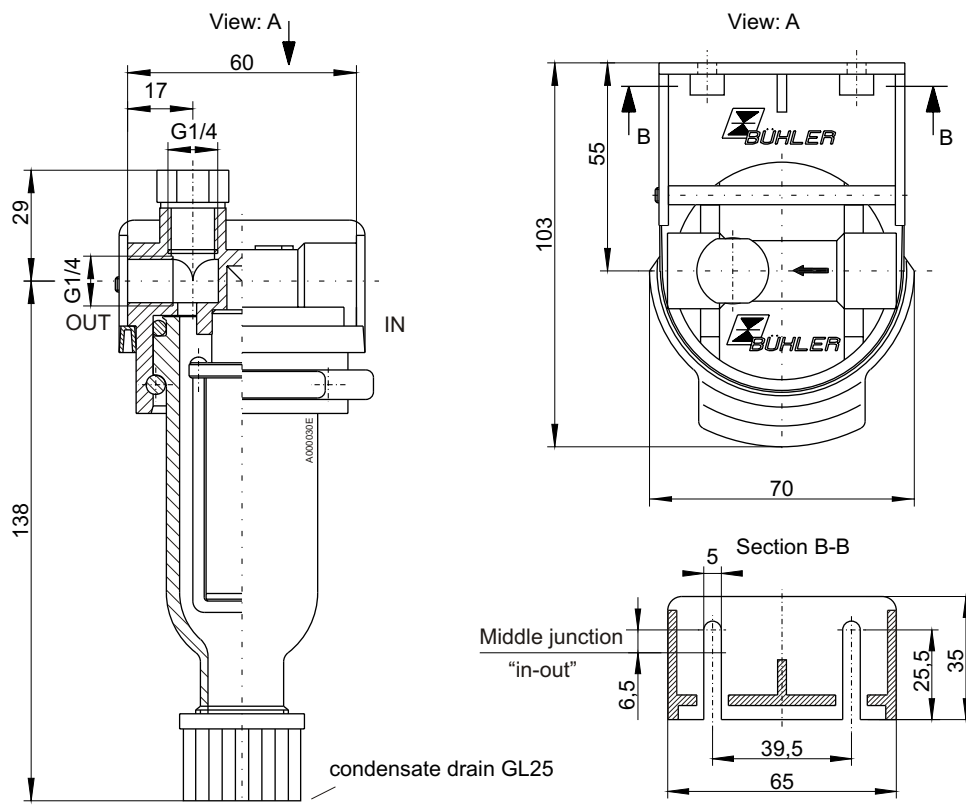


The removal of aerosols from sample gas streams is a requirement in many applications. To meet this need, the Bühler Model K-AGF-PV-30-A filter makes use of a coalescing element made of borosilicate fibers. The gas stream passes through the element from inside to outside. The aerosols are caught in the matrix forming steadily growing droplets which eventually drop into the bowl as a liquid. The liquid collected in the bowl is drained off by either by a condensate drain or peristaltic pump.

The lifetime of the element depends on the concentration of particulate matter in the gas stream. With upstream particulate filtration, the coalescing filter life is almost unlimited.

- **Bühler Unique QC bracket**
- **Easy to change filter element without tools**
- **Versatile mounting bracket**
- **Filter head with auxiliary port**

Dimensions



Technical Data		Temperature	max. +80 °C
Filter head	PVDF	Dead volume	73 ml
Filter bowl	Duran glass	Weight approx.	0.24 kg
Seal	Viton		
Pressure	max. 4 bar		



Application in explosive atmosphere (additional indications):

The equipment corresponds to the essential requirements of the Directive 94/9/EC. Therefore they can be used in explosive atmosphere (**Zone 1; Group IIB**). Depending on the used filter element inflammable gases and flammable gases (only temporary explosive in normal operation, **zone 1; Group IIB or IIC**) can be led through this gas filters.

Note indications of risk in the installation- and operation instruction of the filter!

Please indicate with order

Coalescing filter including one filter element

Part no. 41 50 699 **Type** K-AGF-PV-30-A



Attention! The liquid can be harmful. Observe all safety regulations!

Filter element

Part no.	Type	Filter element	Material	Surface area	Package	Range of use
49 32 001	12-57-C	husk	borosilicat	28 cm ²	1 pc.	Group IIC