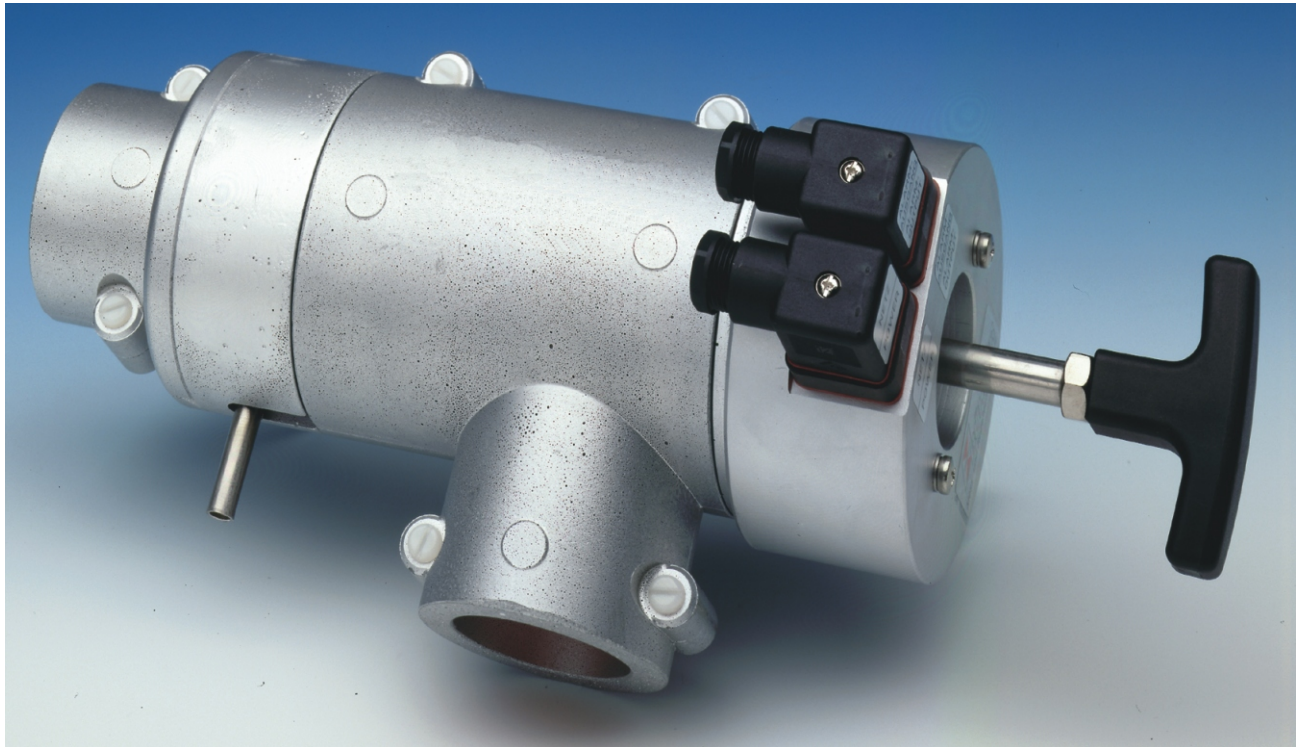


# Heated Sample Gas Filter AHF - 22



The traditional design of heated particulate filters requires considerable maintenance and down time due to the work required to change the filter media.

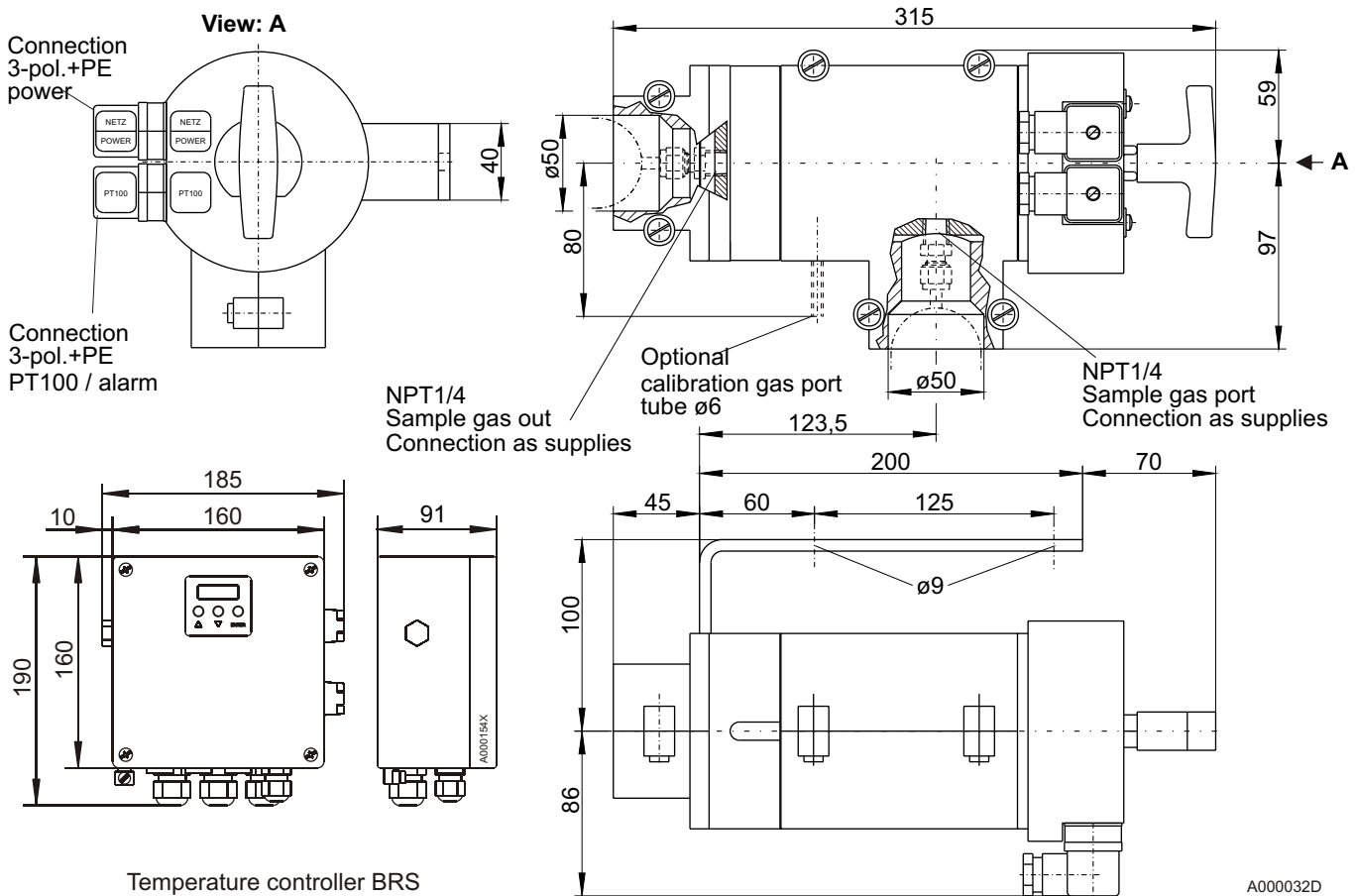
Bühler's AHF-22 incorporates a new advanced design that eliminates much of this work and sets new standards for ease and speed of maintenance. A spent filter can be changed in seconds and does not require dismantling the unit. Simply turn the handle 90 ° and the filter element slides out for replacement.

Depending on the application, the filter can be heated by self-regulating or controller-regulated cartridges.

Filter media are available in sintered stainless steel, ceramic or pleated stainless steel.

- **Robust and reliable design**
- **Easy installation**
- **Change filter element without tools or disassembly**
- **Regulated or self-regulating heating**
- **Optional calibration gas port**
- **No cold spots**

## Dimensions



## Technical Data

Filter housing	SS 316 Ti	Weight	approx. 6,4 kg
Insulation	Filled resin	Pressure	max. 16 bar
Seals	Viton (Perfluorelastomer optional)	Temperature	Self-regulated heating: approx. 180°C Regulated heating: max. 200°C
Heating power	400 W	Temperature sensor	Self-regulated heating: alarm at 140°C Regulated heating: PT100
Protection class	IP 40	Ambient temp.	0...70°C
Dead volume	80 - 100 ml		

## Please indicate with order\*

<b>Part no.</b>	<b>Type</b>	<b>Description</b>	<b>Voltage</b>
41 22 2294	AHF-22-S	Self-regulated	115-230 V AC 50/60 Hz
41 22 2295	AHF-22-S-K	Self-regulated , calibration gas port	115-230 V AC 50/60 Hz
41 22 2296	AHF-22-115-R	Regulated <sup>1)</sup>	115 V AC, 50/60 Hz
41 22 2299	AHF-22-230-R	Regulated <sup>1)</sup>	230 V AC, 50/60 Hz
41 22 2297	AHF-22-115-R-K	Regulated, calibration gas port <sup>1)</sup>	115 V AC, 50/60 Hz
41 22 2298	AHF-22-230-R-K	Regulated, calibration gas port <sup>1)</sup>	230 V AC, 50/60 Hz
41 22 2092	BRS	Temperature controller	230 V AC, 50/60 Hz
41 22 2192	BRS	Temperature controller	115 V AC, 50/60 Hz

\*without filter element

<sup>1)</sup>without temperature controller

## Filter element for AHF-22

<b>Part no.</b>	<b>Material</b>	<b>Pore size</b>	<b>Package</b>
46 22 2010	Sintered stainless steel	5 $\mu$ m	1 pc.
46 22 2011	Pleated stainless steel element	10 $\mu$ m	1 pc.
46 22 2026	Ceramic	3 $\mu$ m	1 pc.

we reserve the right to amend specification