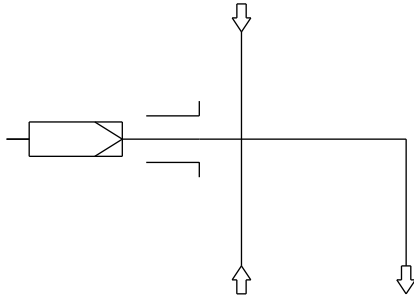


Sample gas probe GAS 222.35-U

Flow Diagram



Description:

- Unheated sample gas probe with in-situ filter
- Filter can be replaced without tools
- For dust concentration up to 200g/m³, non-condensable gases
- For hazardous areas, no internal ignition point

Technical Data:

- Material: 1.4571
- Seals: Graphite/1.4404
- Operating temperature: max. 200°C
- Max. working pressure: 6 bar

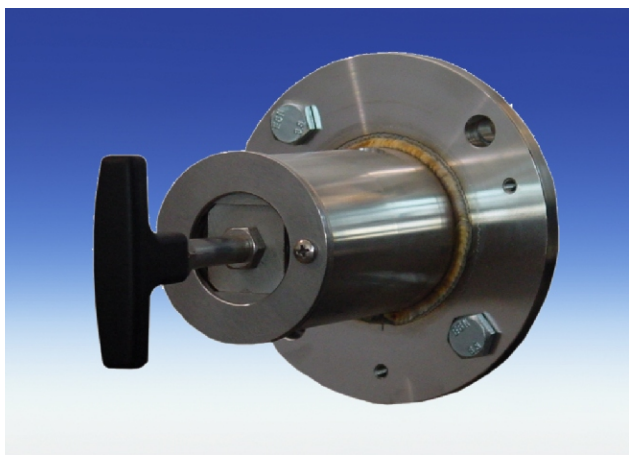
Order information: base unit:

- GAS 222.35-U p/n 4622235U

Options:

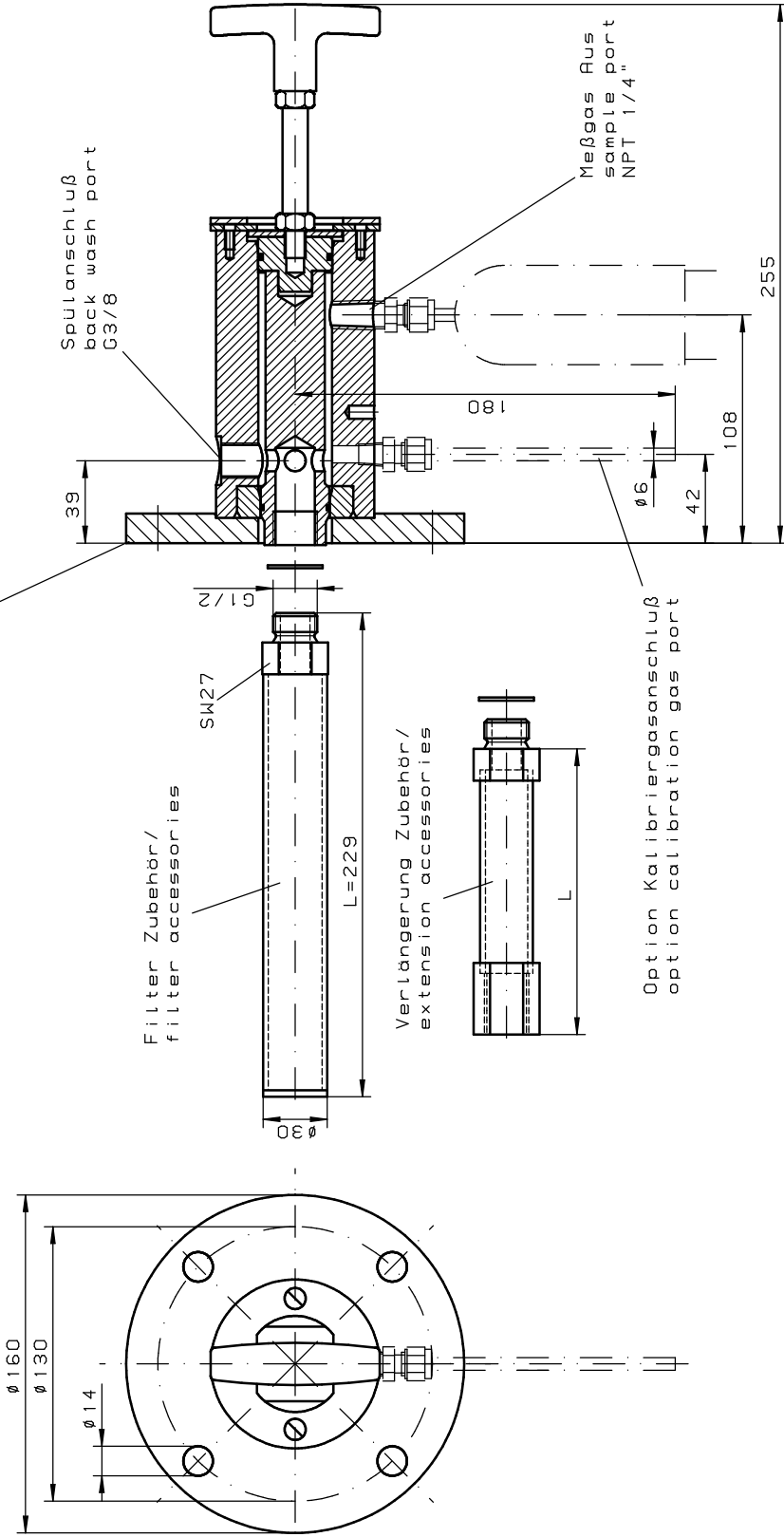
To customize the base unit to meet the needs of any application, please refer to data sheet DE461099 "Accessories for Gas Sample Probes".

- Unheated extensions
- Filters
- Calibration gas port
- ANSI flange 3"
- Blowback
- Blowback control unit



For general information see data sheet "Gas Sample Probes GAS 222" DE461000.

Flansch/flange
DN65 PN6



Technische Angaben/technical data

Werkstoffe Flansch, Kopf / : 1.4571/SS316Ti/Viton
 materials flange, head
 Betriebstemperatur Sonde / : max. 200 °C / 392 °F
 operating temperature probe

alle Kanten gratfrei Oberflächenbear- beilungszahlen Ra Ra 0.8 Ra 1.6 Ra 4	Maße ohne Toleranzangabe nach ISO 2768-mK Datum 16.12.2003 Name Brinkmann Gepr.	Maßstab 1:2 (Gewicht)
ALLE RECHTE VORBEHALTEN		
Benennung: Gasentnahmesonde sample gas probe GAS 222.95-U		
Zeichnung-Nr.: 46/100-Z01-01-3		
Art.-Nr. 4622235U		
ARBEITSRISIKO:		
Zust./And.	Datum	Name Ers. für
		BUHLER