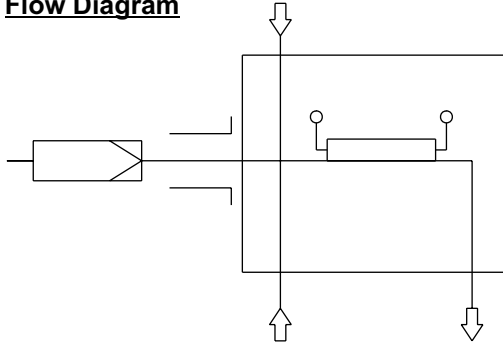


Sample gas probe GAS 222.35 ANSI/CSA

Flow Diagram



Description:

- Heated sample gas probe with in-situ filter and weather protection shield
- Filter can be replaced without tools
- Effective insulation and protection shield
- Electronic heater up to 200°C with low/high temperature alarm and display
- Dust concentration up to 200g/m³
- Not for hazardous areas
- C-US and CSA approval

Technical Data:

- Material: 1.4571
- Seals: Graphite/1.4404 and see filter elements
- Operating temperature: max. 200°C
- Max. working pressure: 6 bar
- Voltage: 230 V, 2,0 A, 50/60Hz
or 115 V, 3,8 A, 50/60Hz,
- Temperature range: +50 to +200°C
- Alarm: adjustable $\pm 5 \dots 30K$ from set point
factory set 15K
current max. 1A
- Protection class: IP54
- Ambient temperature: -20 to +70°C (may be limited by options)

Order information: base units:

- GAS 222.35 ANSI/CSA 230V
p/n 4622235C
- GAS 222.35 ANSI/CSA 115V
p/n 4622236C

Options:

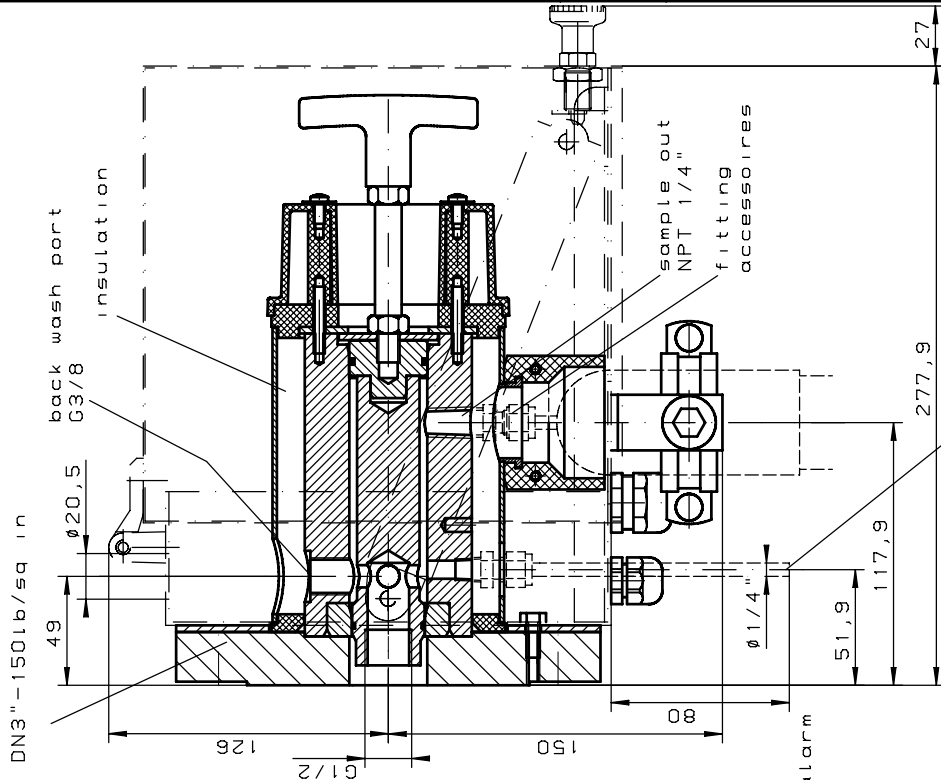
To customize the base unit to meet the needs of any application, please refer to data sheet DE461099 "Accessories for Gas Sample Probes".

- Unheated extensions
- Filters
- Calibration gas port
- Blowback
- Blowback control unit

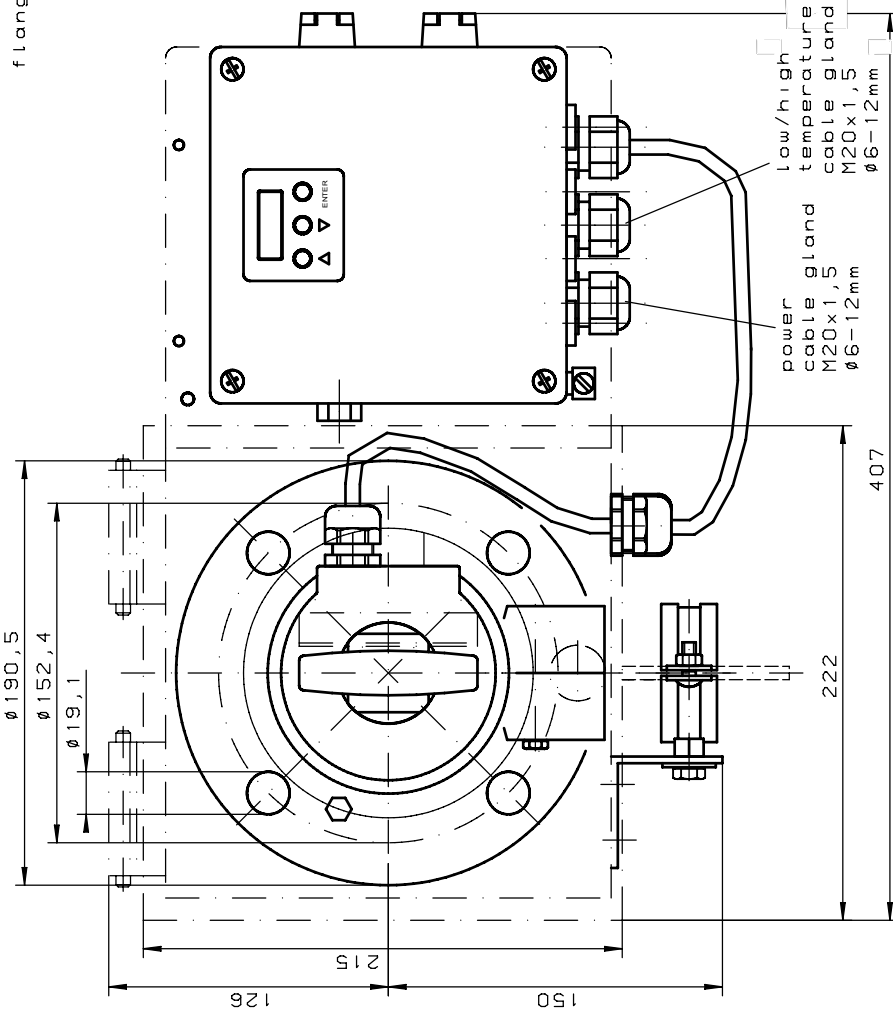


For general information see data sheet "Gas sample Probes GAS 222" DE461000.

flange DN3"-150lb/sq in



option calibration gas part



Part-No 4622235C 4622236C

- materials flange, head
 - operating temp probe
 - heater
 - temperature range
 - alarm adjustable
 - factory set
 - max current
 - degree of protection
 - ambient temperature
- 1 4571/SS316TI
 max 200°C / 392°F
 230V 50/60Hz | 115V 50/60Hz
 440W | 425W
 50-200°C / 122-392°F
 ±5 bis 30°C / ±9 up to 54°F
 from set-point
 ±15°C / ±27°F
 1A
 IP54
 -20 up to +70°C
 -4 up to +158°F

alle Konten gratfrei Oberflächenbear- beitzungszeichen		Maße ohne Toleranzangabe nach ISO 2768-mK		Maßstab 1:2 (Gewicht)
<input checked="" type="checkbox"/> = ✓ <input checked="" type="checkbox"/> = ✓ <input checked="" type="checkbox"/> = ✓ <input checked="" type="checkbox"/> = ✓	Datum 10.10.2005	Name Brunnem	Benennung sample gas probe GAS 222 35 ANSI/CSA	
Datum 12.10.06	Name Br-	Art -Nr 46/122-Z01-01-3A	Zeichnung -Nr 46/122-Z01-01-3A	
Zust neu	Datum 12.10.06	Name Br-	ARBEITSANWEISUNG	