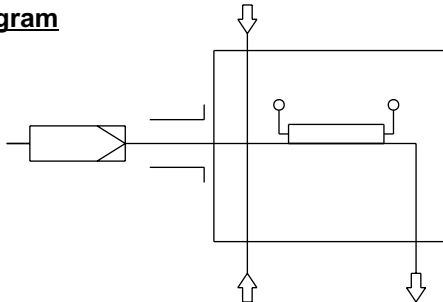


# Sample gas probe GAS 222.35 Amex

## Flow Diagram



## Description:

- Heated sample gas probe with in-situ filter , weather protection shield and junction box
- Filter element can be replaced without tools
- Effective insulation and protection shield
- Self-regulating up to 125°C(T3)/70°C(T4)
- Dust concentration up to 200g/m<sup>3</sup>
- For use in hazardous areas
- C-US and CSA approval

## Technical Data:

- Material: 1.4571
- Seals: PTFE/Graphite/1.4404 and see filter elements
- Max. working pressure: 6 bar
- Voltage: 115V-230 V, 50/60Hz
- Temperature: Self-regulating  
125°C/257°F(T3)  
70°C/158°F(T4)
- Low temperature alarm:  
contact is open at operating temperature, closes at < 95°C (T3) resp. < 45°C (T4)  
U<sub>max</sub>=30VDC, I<sub>max</sub>=100mA, Ci/Li~0
- Ambient temperature -20 to +80°C (-4 bis +176°F) (may be limited by options)
- Class I Div 2 Gps B,C,D

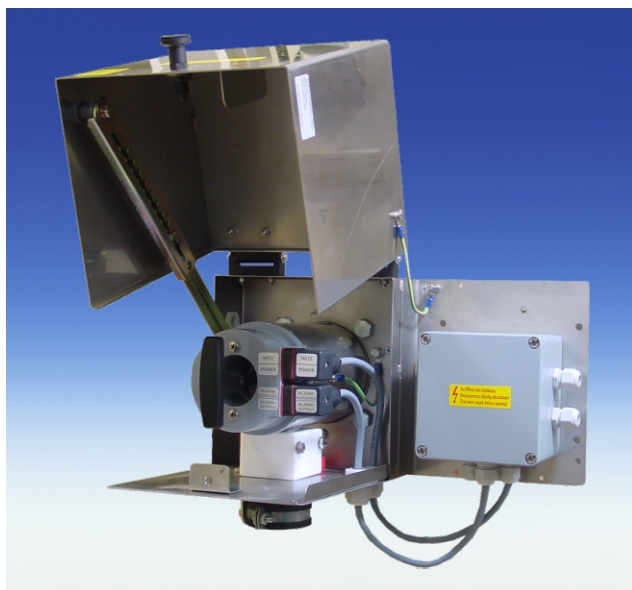
## Order information: Base unit:

- GAS 222.35 Amex  
T3: p/n 4622235CD23  
T4: p/n 4622235CD24

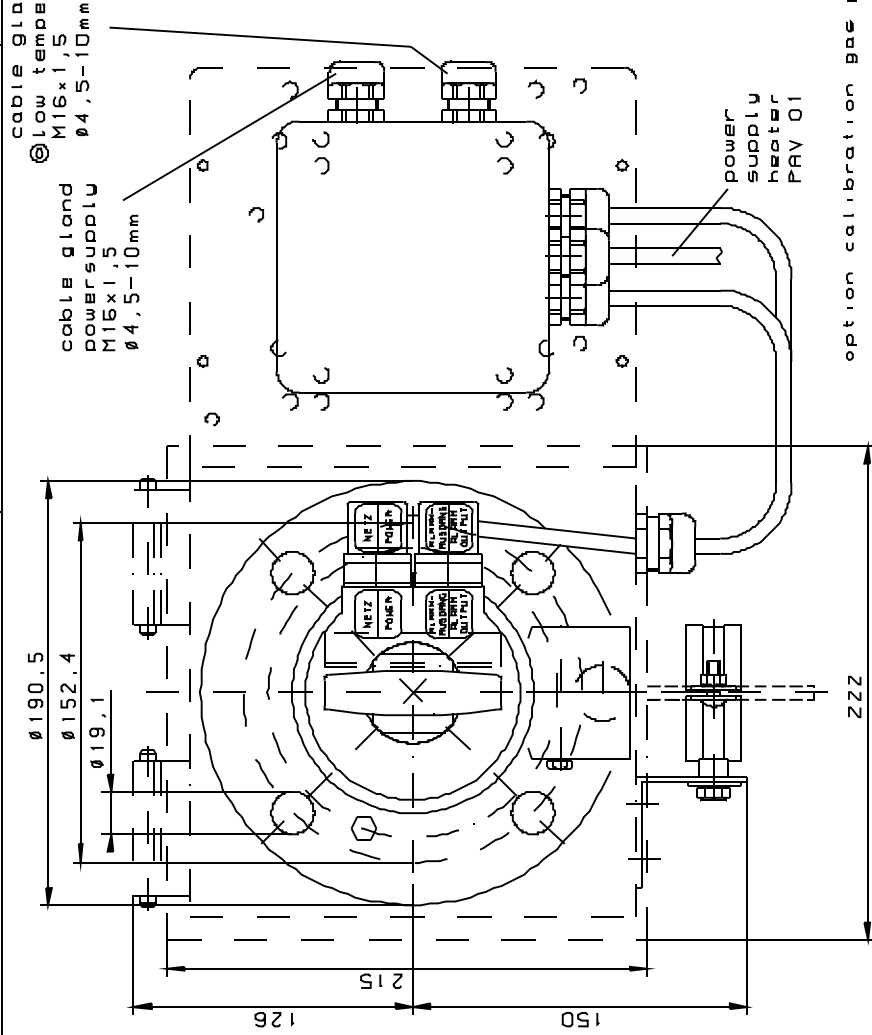
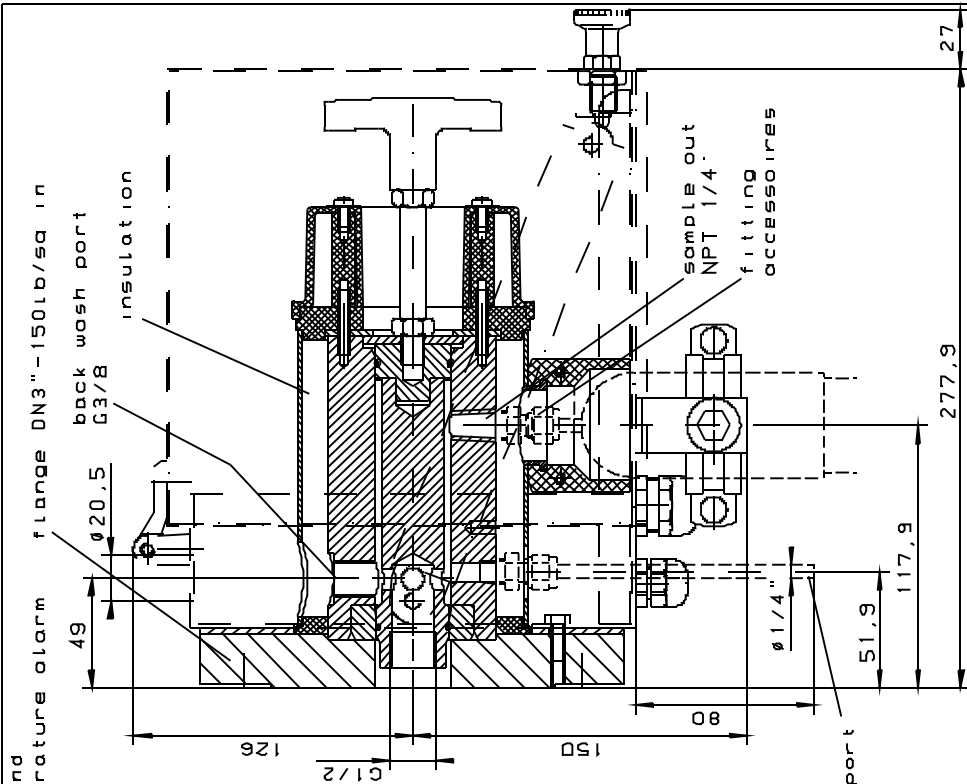
## Options:

To customize the base unit to meet the needs of any application, please refer to data sheet DE461099 "Accessories for Gas Sample Probes".

- Unheated extensions
- Filters
- Calibration gas port
- Blowback
- Blowback control unit (for installation outside of hazardous area only)



For general information see data sheet "Gas Sample Probes GAS 222" DE461000.



alle Konten geprüfte Überlappungen beiliegende Zeichnungen ✓ = <input checked="" type="checkbox"/> $R_{1,2}$ ✓ = <input checked="" type="checkbox"/> $R_{1,3}$ ✓ = <input checked="" type="checkbox"/> $R_{1,4}$ ✓ = <input checked="" type="checkbox"/> $R_{1,5}$	ALLE RECHTE VORBEHALTEN nach ISO 2768-mK Name Typ Bauart Ausführung	Maßstab 1:2 Merkmal Bezeichnung sample gas probe GAS 222 35 AMEX Zeichnung-Nr. 46/118-Z01-01-3A Drt.-Nr. ARBEITSSAMMELUNG
--	---	--

Part-No materials flange, head heater self regulating low temperature alarm ambient temperature designation	4622235CD23   4622235CD24 1 4571/SS316T 115-230V 50/60HZ 125°C/257°F   70°C/158°F 95°C/203°F   45°C/113°F Umax=30VDC, Imax=100mA, C1/L1=0 -20 up to +80°C -4 up to +176°F C1 1, Div 2, Gps B, C, D T3
--	--